



Brand: BendPak

Model: XPR-10AC / XPR-10ACX

Description: 10,000-Lb. Capacity, Clearfloor, Asymmetric

The Perfect Addition to your Shop

Our newest line of XPR-Series 2-Post lifts offers a wide selection of durable, safe and reliable systems for virtually every lifting application. Specifically, the powerful and secure asymmetric XPR-10AC / XPR-10ACX is an incredibly rapid lift with a robust menu of features to increase efficiency and productivity, without overwhelming you with serviceable parts and necessary maintenance. The results are lower operating expenses and higher productivity. If you're looking to make more money in less time than ever before, you'll find that the new XPR-10AC / XPR-10ACX lift is the perfect addition to your shop.

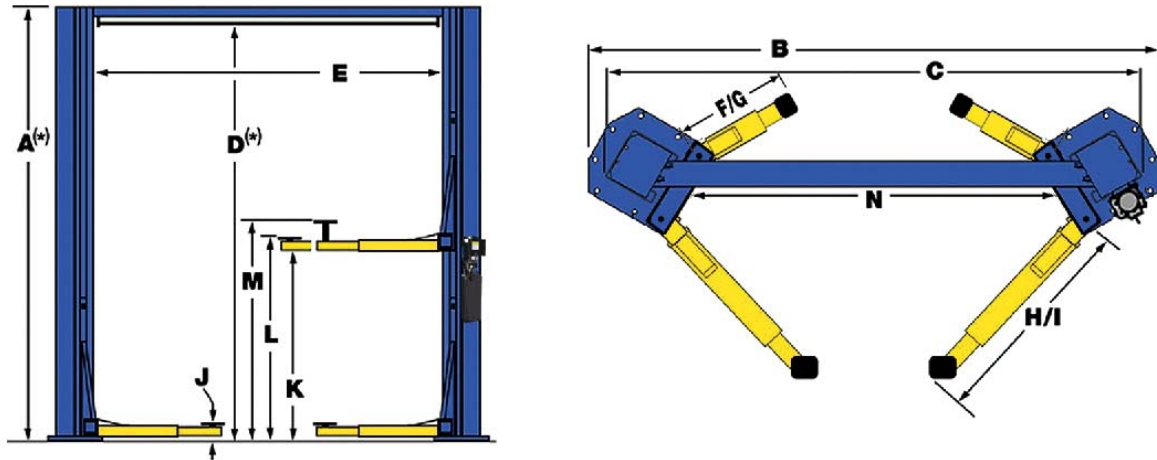
Don't get us wrong—we like to keep it simple at BendPak, but we definitely don't dumb it down. Featuring a revolutionary 30° rotated column scheme for added door-opening clearance, the XPR-10AC / XPR-10ACX minimizes costly damage to customer vehicles and interior car access, even when it's between the posts. Plus, the unique Tru-Metric carriage and arm design combine to give users the ability to load vehicles either symmetrically (centerline of vehicle at column) or asymmetrically (centerline of vehicle behind column). It's completely up to you.

Features

- 10,000-lb lifting capacity
- Padded overhead safety shutoff bar
- Exclusive Tru-Metric arm design provides more versatile arm positioning
- 30° rotated single-piece columns
- Wide or narrow drive-thru configuration
- Single-point safety release
- Drop-end arms provide a lower pad height
- Dual hydraulic direct-drive cylinders
- Oversized 53" tall carriage for superior strength and durability
- Electric / hydraulic power system
- Large, 17" x 19" A36 steel base plate
- Self-lubricating dura-glide UHMW polyethylene bearing system
- Safety locks in each column spaced every 3"
- Automatic arm restraints
- Heavy-duty 1/2" aircraft-quality equalizer cables
- Oversized cable sheave diameter reduces cable fatigue
- 8-piece truck and van adapter set standard
- Triple-telescoping / low-profile arms option available
- Versatile drop-in contact pads with stackable adapters



FLOORPLAN



MODEL	XPR-10AC	XPR-10ACX
Lifting Capacity*	10,000 Lbs. / 4536 Kg.	10,000 Lbs. / 4536 Kg.
*Max Capacity / Front Axle	5,000 Lbs. / 2268 Kg.	5,000 Lbs. / 2268 Kg.
*Max Capacity / Rear Axle	5,000 Lbs. / 2268 Kg.	5,000 Lbs. / 2268 Kg.
A - Height Overall: (*)	145" / 3683 mm.	145" / 3683 mm.
B - Width Overall (Outside of Base Plate):	132" / 3353 mm.	145" / 3683 mm.
C - Width (Outside of Columns):	128" / 3251 mm.	135" / 3429 mm.
D - Floor To Overhead Switch: (*)	141" / 3581 mm.	141" / 3581 mm.
E - Inside Columns:	99" / 2515 mm.	112" / 2845 mm.
F - Reach (Front Arm Min.):	23-1/2" / 597 mm.	25-1/2" / 648 mm.
G - Reach (Front Arm Max.):	43-3/4" / 1111 mm.	49-1/2" / 1257 mm.
H - Reach (Rear Arm Min.):	40-1/2" / 1029 mm.	40-1/2" / 1029 mm.
I - Reach (Rear Arm Max.):	58" / 1473 mm.	58" / 1473 mm.
J - Min. Pad Height:	4" / 102 mm.	4" / 102 mm.
K - Rise:	69" / 1753 mm.	69" / 1753 mm.
L - Max Lift Height (Pad Only):	73" / 1854 mm.	73" / 1854 mm.
M - Max Lift Height (6" Adapter):	79" / 2007 mm.	79" / 2007 mm.
N - Drive-Thru Clearance:	89" / 22261 mm.	102" / 2591 mm.
Motor (**)	220 VAC / 60 Hz. 1Ph.	220 VAC / 60 Hz. 1Ph.
Time of full Rise:	45 Seconds	45 Seconds
Max Load Per Arm:	2,500 Lbs. / 1134 Kg.	2,500 Lbs. / 1134 Kg.

* An optional bolt-on top extension for columns raises the overhead bar an additional 24". Must be ordered from factory at time of order.

** Special Voltages Available Upon Request.

The design, material and specifications are subject to change without notice.