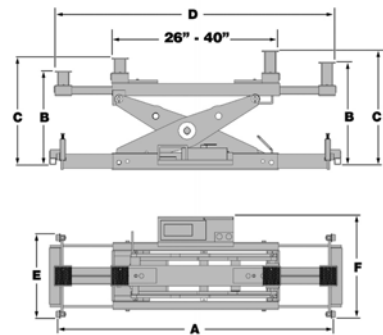




Brand: BendPak  
 Model: RJ-12 / RJ-15  
 Description: Rolling Bridge Jacks

These optional heavy-duty rolling bridge jacks offer the ultimate in jacking speed and convenience. Their exclusive telescoping roller design allows the runways to be adjusted for different tread widths. Precision rollers enable you to position them anywhere under the vehicle. Perfect for wheel and suspension work. Each jack comes complete with stackable pad adapters.



MODEL	RJ-12	RJ-15
Lifting Capacity:	12,000 lbs. / 5443 Kg.	15,000 lbs. / 6804 Kg.
A - Min. Width	44" / 1118 mm.	44" / 1118 mm.
A - Max. Width	58" / 1473 mm.	58" / 1473 mm.
B - Min. Short Pad:	14" / 356 mm.	14" / 356 mm.
B - Max. Short Pad:	23" / 584 mm.	23" / 584 mm.
B - Min. Tall Pad:	17" / 432 mm.	17" / 432 mm.
B - Max. Tall Pad:	26" / 660 mm.	26" / 660 mm.
C - Min. Short Pad:	19" / 483 mm.	19" / 483 mm.
C - Max. Short Pad:	28" / 711 mm.	28" / 711 mm.
C - Min. Tall Pad:	22" / 559 mm.	22" / 559 mm.
C - Max. Tall Pad:	31" / 787 mm.	31" / 787 mm.
D - Min. Arm Reach:	45" / 1143 mm.	45" / 1143 mm.
D - Max. Arm Reach:	58" / 1473 mm.	58" / 1473 mm.
E - Wheel Assembly Width:	19-1/2" / 495 mm.	19-1/2" / 495 mm.
F - Overall Width:	22-1/2" / 571 mm.	22-1/2" / 571 mm.

The design, material and specifications are subject to change without notice.