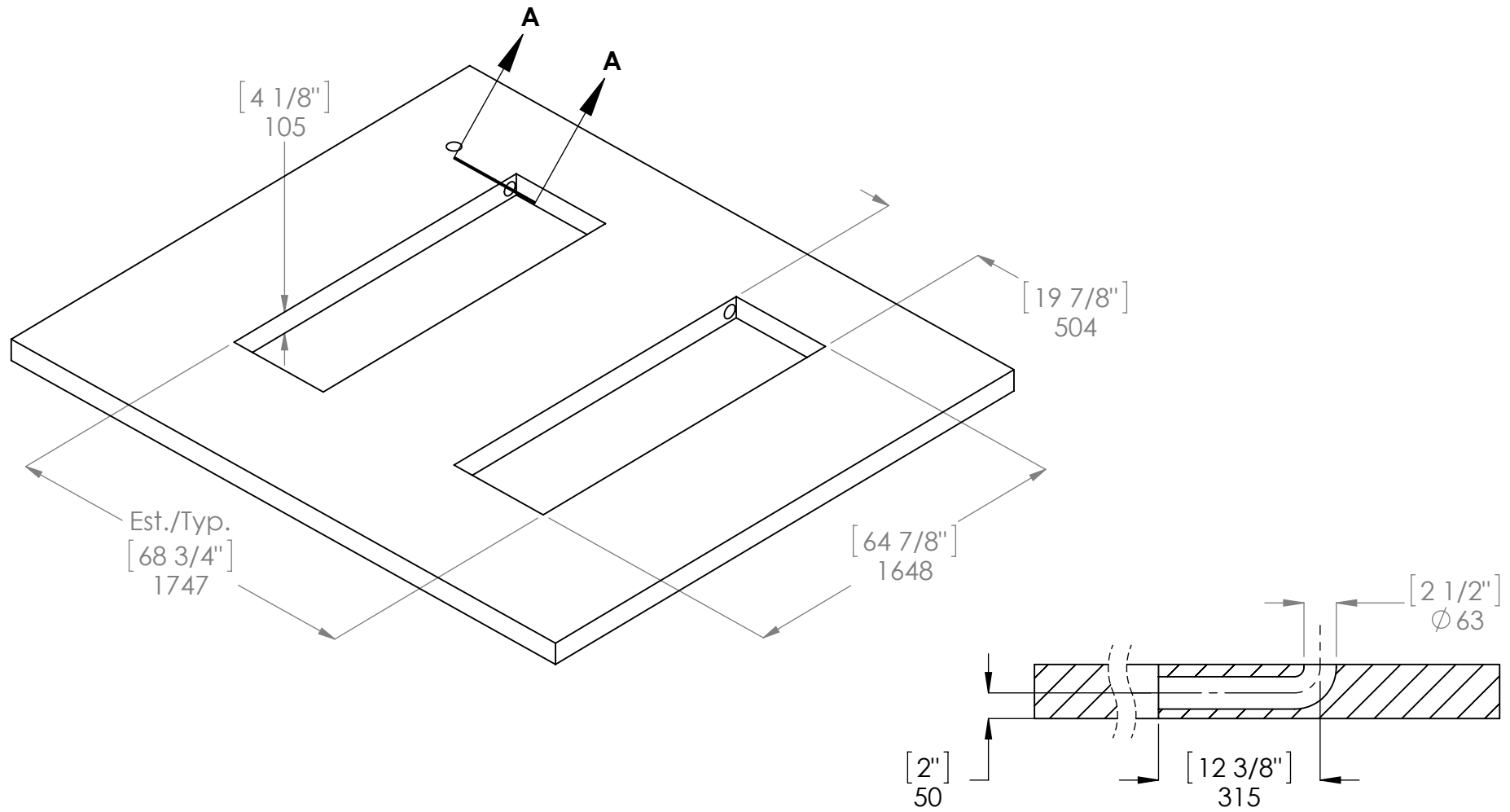





REV.		DESCRIPTION		REVISION		DATE	EDITED BY	ECO #



**SECTION A-A**  
**SCALE 1 : 12**

DO NOT SCALE DRAWING	NAME	DATE	 <b>BendPak</b> 1645 LEMONWOOD DR. SANTA PAULA, CA 93060					
DIMENSIONS ARE IN MM	DRAWN	TM 09/23/2014						
	CHECKED	--	<b>TITLE:</b> MDS-6KF FLUSH MOUNT CONCRETE PRE-POUR LAYOUT					
	THIRD ANGLE PROJECTION			<table border="1"> <tr> <td>SIZE</td> <td>DWG. NO.</td> <td>REV</td> </tr> <tr> <td><b>A</b></td> <td></td> <td></td> </tr> </table>	SIZE	DWG. NO.	REV	<b>A</b>
SIZE	DWG. NO.	REV						
<b>A</b>								
MATERIAL: ---			<b>SCALE:</b> 1:25					
SIZE: ---	<small>PROPRIETARY AND CONFIDENTIAL THE INFORMATION CONTAINED IN THIS DRAWING IS THE SOLE PROPERTY OF BENDPAK INC. ANY REPRODUCTION IN PART OR AS A WHOLE WITHOUT THE WRITTEN PERMISSION OF BENDPAK INC. IS PROHIBITED.</small>			<b>SHEET 1 OF 1</b>				

**NOTE: UNLESS OTHERWISE SPECIFIED.**