



Model(s): HD-14SS / HD-14 / HD-14X / HD-14TL

Description: Medium-Duty Four-Post Service Lift

BendPak's "HD-Series" four-post lifts are engineered to meet the demands of even the toughest professionals. Designed into every "HD-Series" lift are key features that make them the absolute best you can buy, a long list of features that improve safety, durability and productivity. These commercial-grade lifts are second to none and have become benchmarks throughout the world for quality and dependability.

Aircraft-quality stainless steel and aluminum pneumatic cylinders release all four locks simultaneously with the simple push of a button. The spring-loaded safety locks automatically engage continuously when raising the lift. For added safety a secondary lock system acts as a slack-cable device automatically engaging in the event of an unexpected cable failure. Lifting cables, airlines, safety latches and sheaves are all fully enclosed within lift structure.



Each lift is equipped with a single hydraulic cylinder hidden away under the runway for maximum performance and reliability and minimum exposure to elements. Our industrial-grade hydraulic cylinders feature a one-piece, pilot fitted, machined steel piston wrapped with specially designed, pressure loaded U-cup piston seals, backups and wear bands that virtually eliminates any fluid bypass. The micro-smooth chrome-rod is machined from high yield, ground & polished C-1045/50 micro-alloy steel and plated to a minimum of .001½ diametrically, to ensure superior cylinder operation and life. Specially designed, high durometer, mechanically loaded rod seals virtually eliminate rod seal leakage and a specially formulated abrasion resistant urethane rod wiper provides exclusion protection. The welded cylinder body is made from high yield-strength steel tubing produced to exceed ASTM specifications. This combination of superb base material and superior processing ensures straight, smooth and long duty life cylinders. An integrated flow restrictor provides a controlled descent in the case of an unexpected hose rupture.

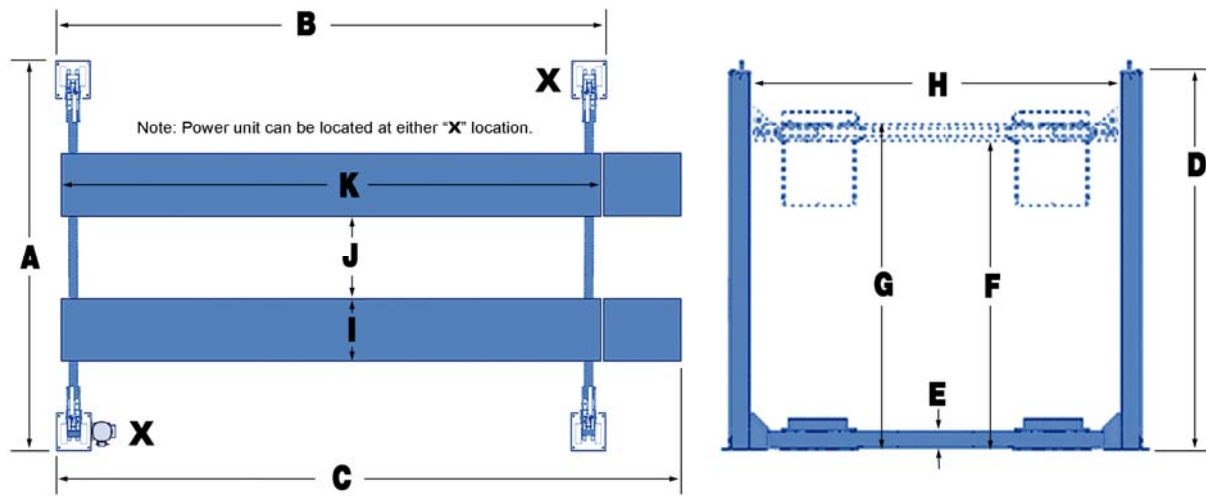
All BendPak lifts feature a durable powder coat finish that gives the metal a high-quality, extremely durable finish which can withstand even the harshest environmental or chemical conditions. Unlike other companies that claim to powder coat, we take pride in our meticulous process. First, all parts are visually inspected then sandblasted then washed in our five-stage phosphate tanks. They're immediately dried, to avoid rust production then any surfaces and/or threaded holes that need to be masked or plugged are done so with high-temperature masking tape and silicone plugs. Next, the parts are given a quick thinner wipe to remove any light debris or fingerprints then hung on an electrostatically grounded conveyor line. The powder is then applied using an electrostatic spray gun. The powder "sticks" to the parts similar to how dust sticks to a television screen. Once the parts are powder coated, the carts are rolled into our curing oven and baked at 400 degrees for 15 for 45 minutes.

Standard features

- 14,000 pound lifting capacity
- ETL approved (Models HD-14SS, HD-14 & HD-14X)
- Three different ramp lengths to choose
- Runways include rail-kit for optional accessories
- Electric/hydraulic power system
- Single hydraulic cylinder mounted underneath runway
- Internal "Anti-Sway" slider blocks in each column
- Features heavy-duty ½" aircraft cable
- Oversized self-lubricating cable rollers
- Rugged 1-3/8" roller axles
- Multi-position safety locks in each column
- Ramps feature non-skid surface
- Push-button safety release
- Runways adjust for different tread widths
- Optional drive-thru ramps available
- Optional 7000 pound capacity rolling jacks available (Model RJ-7)



Optional 7000 pound capacity rolling jacks available (Model RJ-7)



MODEL	HD-14SS	HD-14	HD-14TL	HD-14X
Lifting Capacity	14,000 lbs. / 6350 Kg.	14,000 lbs. / 6350 Kg.	14,000 lbs. / 6350 Kg.	14,000 lbs. / 6350 Kg.
Max Capacity / Front Axle	7,000 lbs. / 3175 Kg.	7,000 lbs. / 3175 Kg.	7,000 lbs. / 3175 Kg.	7,000 lbs. / 3175 Kg.
Max Capacity / Rear Axle	7,000 lbs. / 3175 Kg.	7,000 lbs. / 3175 Kg.	7,000 lbs. / 3175 Kg.	7,000 lbs. / 3175 Kg.
A - Overall Width	126" / 3200 mm.	126" / 3200 mm.	126" / 3200 mm.	126" / 3200 mm.
B - Outside Length	181" / 4597 mm.	205" / 5207 mm.	205" / 5207 mm.	243" / 6172 mm.
C - Overall Length	211" / 5360 mm.	235" / 5969mm.	235" / 5969mm.	273" / 6934 mm.
D - Height of Columns	88" / 2235 mm.	88" / 2235 mm.	100" / 2540 mm.	88" / 2235 mm.
E - Min. Runway Height	7-1/2" / 190 mm.	7-1/2" / 190 mm.	7-1/2" / 190 mm.	7-1/2" / 190 mm.
F - Max. Rise	70" / 1778 mm.	70" / 1778 mm.	82" / 2083 mm.	70" / 1778 mm.
G - Max. Lifting Height	77-1/2" / 1968 mm.	77-1/2" / 1968 mm.	89-1/2" / 2273 mm.	77-1/2" / 1968 mm.
H - Width Between Columns	116" / 2946 mm.	116" / 2946 mm.	116" / 2946 mm.	116" / 2946 mm.
I - Runway Width	20" / 508 mm.	20" / 508 mm.	20" / 508 mm.	20" / 508 mm.
J - Width Between Runways (*)	37" - 49" 940 mm. - 1245 mm.	37" - 49" 940 mm. - 1245 mm.	37" - 49" 940 mm. - 1245 mm.	37" - 49" 940 mm. - 1245 mm.
K - Length of Runways	174" / 4420 mm.	198" / 5029 mm.	198" / 5029 mm.	236" / 5994 mm.
Min. Wheelbase @ Rated Capacity	125" / 3175 mm.	140" / 3556 mm.	140" / 3556 mm.	170" / 4318 mm.
Min. Wheelbase @ 75% Capacity	105" / 2667 mm.	120" / 3048 mm.	120" / 3048 mm.	145" / 3683 mm.
Min. Wheelbase @ 50% Capacity	90" / 2286 mm.	100" / 2540 mm.	100" / 2540 mm.	120" / 3048 mm.
Min. Wheelbase @ 25% Capacity	70" / 1778 mm.	80" / 2032 mm.	80" / 2032 mm.	95" / 2413 mm.
Locking Positions	13	13	17	13
Lock Spacing	Every 4" / 102 mm.	Every 4" / 102 mm.	Every 4" / 102 mm.	Every 4" / 102 mm.
Lifting Time	60 Seconds	60 Seconds	65 Seconds	60 Seconds
Standard Motor (**)	220 VAC / 60 Hz. 1Ph.	220 VAC / 60 Hz. 1Ph.	220 VAC / 60 Hz. 1Ph.	220 VAC / 60 Hz. 1Ph.

* This dimension may be limited with the addition of rolling jacks. See rolling jack specifications on separate page.

** Special Voltages Available Upon Request

The design, material and specifications are subject to change without notice.